

# EVOLUTION **TECH**

## REVOTECH

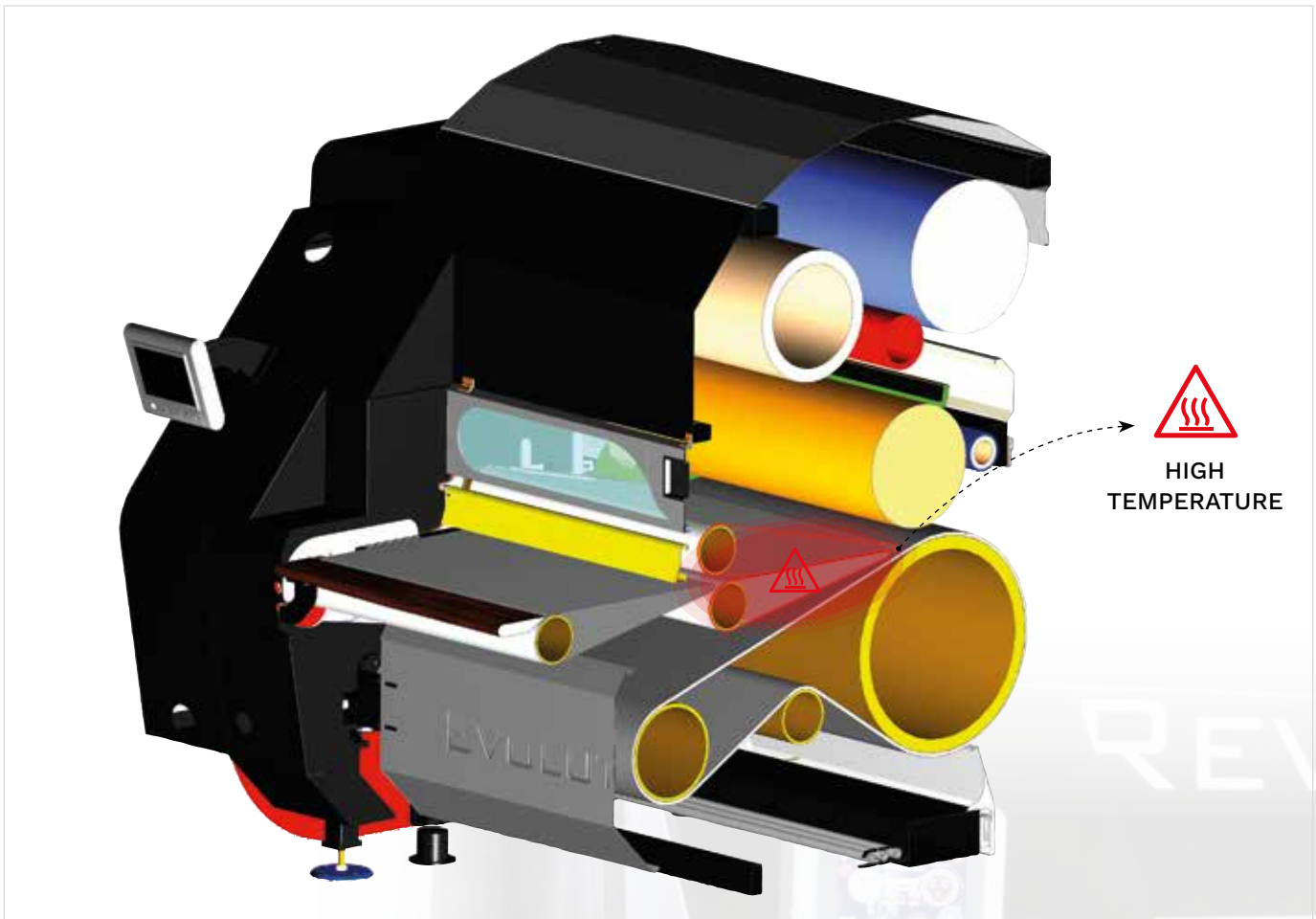


**REVOTECH ROTARY PRESS FOR IRONING AND EMBOSSING,  
WITH REVOLVER SYSTEM: AUTOMATIC CYLINDER CHANGE  
PATENTED HEATING SYSTEM ON THE ANTI-CREASE BELT**

EN 

EVOLUTION TECH IS PROUD TO PRESENT A NEW SYSTEM FOR IRONING AND EMBOSSING LEATHER WITH REVOLVER SYSTEM: AUTOMATIC CYLINDER CHANGE.

“INDUSTRY 4.0”



## EVOPRESS ROTARY PRESS FOR IRONING AND EMBOSSING, WITH PATENTED HEATING SYSTEM ON THE ANTI-CREASE BELT



Starting from the concept that hydraulic presses, due to extended time and low temperature, make the hide remain soft, to the detriment however of the productivity, we thought of manufacturing an innovative rotary press that could ensure the same result, **maintaining the same typical productivity of rotary presses.**



The rotary press for ironing and printing uses **the “Thermotech” revolutionary patented heating system of the anti-crease belt.** This is able to preheat approximately one metre of the hide on both sides at the desired temperature up to 110 degrees centigrade before it comes into contact with the cylinder. The hide therefore, does not obtain heat only in the point where the felt belt and cylinder meet, but reaches the latter already at a significant temperature that can be adjusted as required, avoiding any possible thermal shock.



Thus, working at lower and more prolonged temperatures, while simultaneously safeguarding the production speed, **the Revotech rotary press enables a more velvety touch in the ironing phase and prints the finished hides more deeply, without cuts and with more pronounced reliefs.**



## GENERAL FEATURES



- Revolver: automatic cylinder change system.
- Automatic and programmable timer for heating the rollers.
- Timer for cooling and subsequent automatically switching off the machine.
- Working pressure up to 330 kg/cm linear.
- Possibility to view the machine output side on the monitor with micro-cameras.

## INNOVATIVE FEATURES



- Possibility to preheat the hides up to 110 degrees, thanks to our patented heated anti-crease belt, equally on both sides with separate temperature adjustment to that of the ironing/printing cylinder.
- Easy and quick belt change due to disassembly of the side structure, saving 30% of the time compared to traditional machines.
- Resistor replacement of the heating unit without removing the oil, enabling 60%-time saving compared to traditional machines.
- Greater speed in bringing the cylinder up to temperature through the variation of the oil flow speed.
- Greater speed in reaching the desired pressure with the speed change of the pressure pump.
- Less consumption in the heating and maintenance phase (through its own logic, the machine regulates the speed and flow capacity of the diathermic oil, combining it with the activation/deactivation of the 4 resistor batteries).
- Load adjustment between the two anti-crease belts that remains constant even when the thickness varies by a touch-screen.

## OPTIONAL



- Roller cooling through a heat exchanger.
- Hide detacher for each operator roller (recommended if the machine is combined with a stacker).
- Motorised bristle brush to clean the felt.
- Metal detector.
- Measurer with printer to install on the hide input belt.
- Transfer paper system.
- Remote assistance kit.
- Heating unit for each operating roller.

# THEMOTTECH

Patented system

# THEMOTTECH

Patented system

REVOTECH	15	18	22	26	30	32	34
Dimensions LxPxH [mm]	4140x2230 x2450	4440x2230 x2450	4840x2230 x2450	5240x2230 x2450	5640x2230 x2450	5840x2230 x2450	6040x2230 x2450
Maximum power absorbed [kW]	37	37	37	45	45	45	45
Absorbed power at speed [kW]	24	24	24	24	24	24	24
Speed [m/min.]	3 ÷ 25	3 ÷ 25	3 ÷ 25	3 ÷ 25	3 ÷ 25	3 ÷ 25	3 ÷ 25
Pressure [kg/cm]	0 ÷ 330	0 ÷ 330	0 ÷ 330	0 ÷ 300	0 ÷ 290	0 ÷ 260	0 ÷ 260
Maximum cylinder temperature [°C]	160	160	160	160	160	160	160
Maximum preheating temperature [°C]	110	110	110	110	110	110	110
Extra heating system 32 kW	24	24	24	32	32	32	32

## Evolution Tech s.r.l.



Sede Legale: via Bassano, 2  
36070 Trissino (VI) - ITALY



+39 0445 962577



commerciale@evolution-tech.it



www.evolution-tech.it